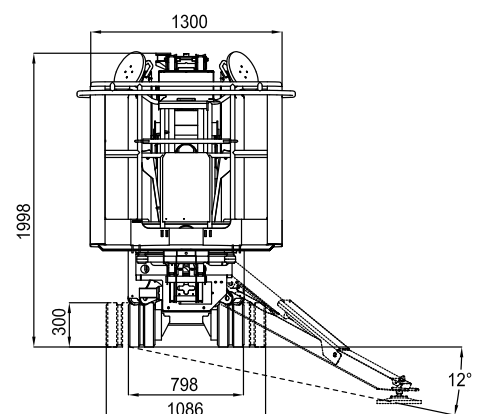
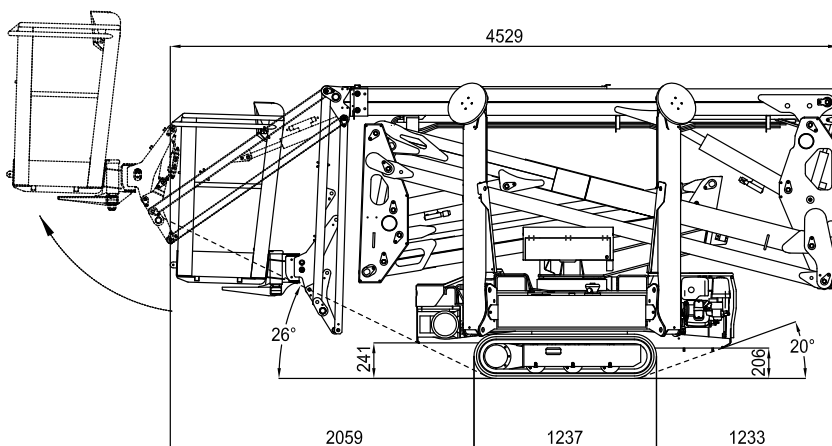
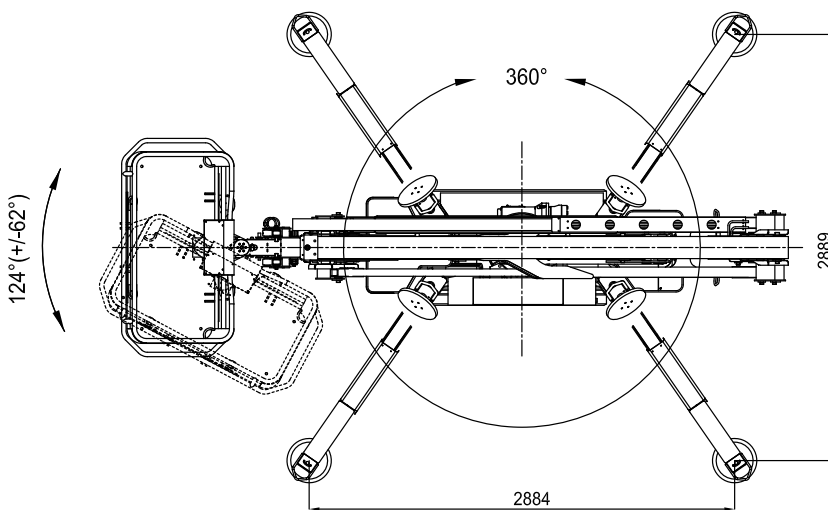


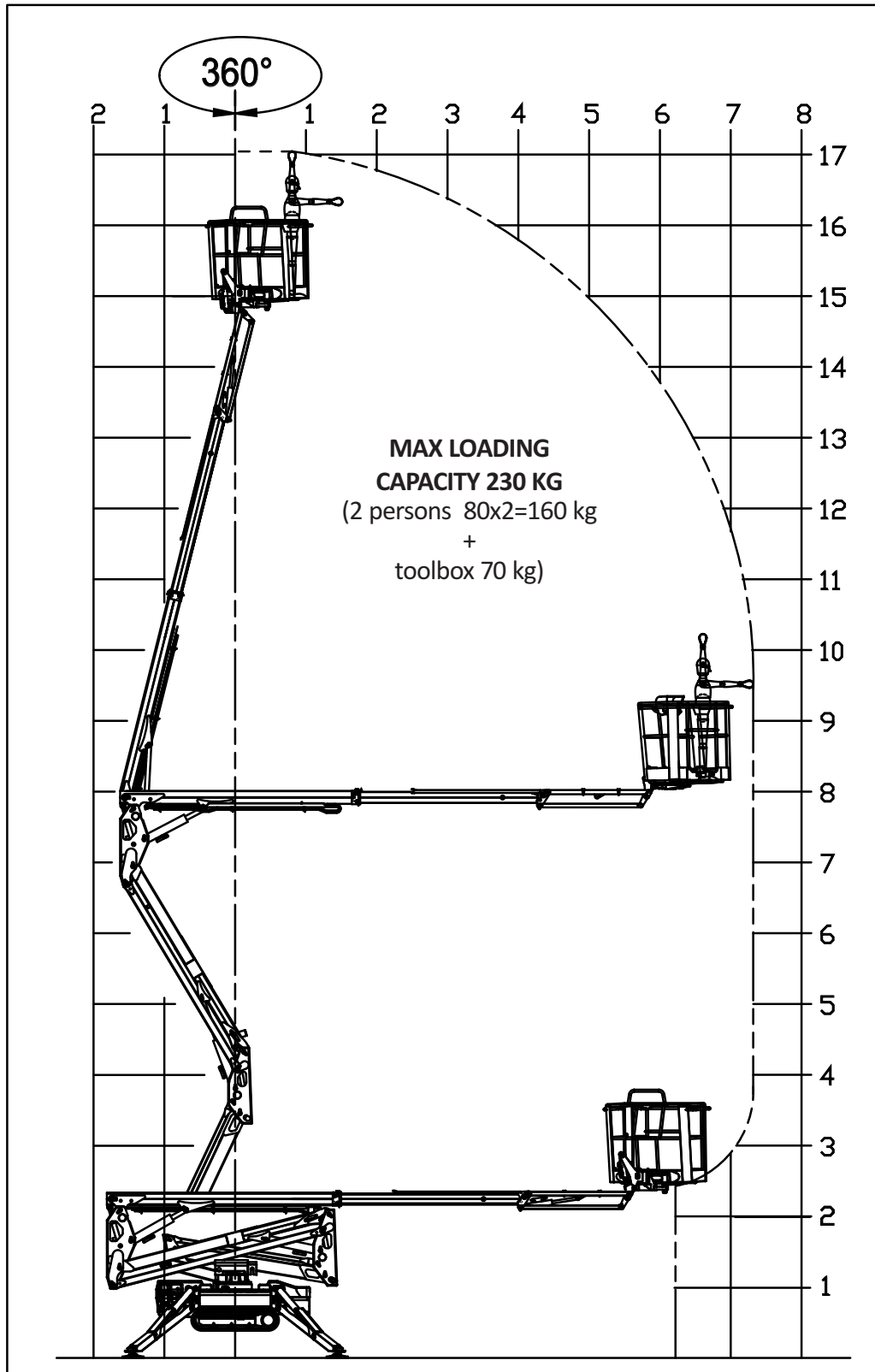
TRACKED AERIAL PLATFORMS



LIGHTLIFT 17.75 *PERFORMANCE III MK2*



LIGHTLIFT 17.75 *PERFORMANCE III S MK2*



TRACKED AERIAL PLATFORMS



LIGHTLIFT 17.75 PERFORMANCE III S MK2

PETROL ENGINE

Brand.....HONDA
TypeiGX390
Pistons no. and displacementsingle-cylinder 389 cc
Max. gross power. 11,7 HP - 8,7 kW @ 3600 rpm
Electrical start 12 volt

DIESEL ENGINE

Brand.....HATZ
Type.....1B40 - HD Autorev
Pistons no. and displacementsingle-cylinder 462 cc
Max. gross power. 10 HP - 7,5 kW @ 3600 rpm
Electrical start 12 volt

ELECTRIC MOTOR

Standard230V / 50 Hz - 2,2 kW
Optional110V / 50 Hz - 2,2 kW

HYDRAULIC PUMPS

Pump diesel engineno. 2 gear pumps
Pump electric motorno. 2 gear pumps

TRACKED UNDERCARRIAGE

Track tensionergrease-filled
Rollers no. per side3 + slide
Widening system.....798 / 1086 mm
Translation speed (petrol) 1,4 km/h
Translation speed (petrol) with optional high speed0,6 / 1,4 / 2,7 km/h
Translation speed (diesel) 1,8 km/h
Translation speed (diesel) with optional high speed0,7 / 1,8 / 3,6 km/h

WEIGHT MACHINE 2230 kg

MAX UPPER SLANT16° / 28,7%

MAX WIND SPEED 12,5 m/s

LIGHTLIFT 17.75 PERFORMANCE III S MK2

LITHIUM ION

ELECTRIC SYSTEM

Electric system voltage.....	48V-12V
Lithium battery pack.....	4,8 kWh
Autonomy (continuous cycle)*.....	4-5 h
Onboard battery charger	220V 50Hz
Optional battery charger	110V 50Hz
Recharge time on flat batteries.....	4 h (indicative)
Recharge time to 80% on flat batteries.....	2 h (indicative)

HYDRAULIC PUMPS

Electric motor	no.2 gear pumps
----------------------	-----------------

TRACKED UNDERCARRIAGE

Track tensioner	grease-filled
Rollers no. per side	3 + slide
Widening system.....	798 / 1086 mm
Translation speed	0,8 km/h
Translation speed with optional high speed	0,4 / 0,8 / 1,6 km/h

WEIGHT MACHINE	2300 kg
MAX UPPER SLANT	16° / 28,7%
MAX WIND SPEED	12,5 m/s

* (Autonomy measured with Hinowa H2 operating cycle)