

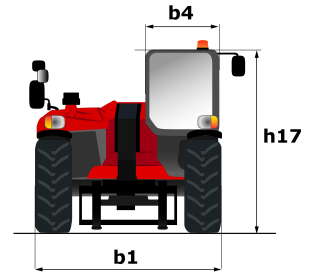
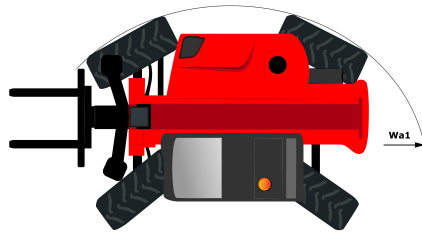
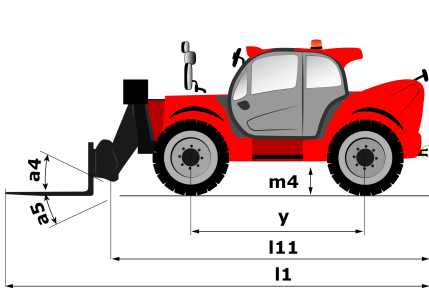
Technical sheet :

MT 1840

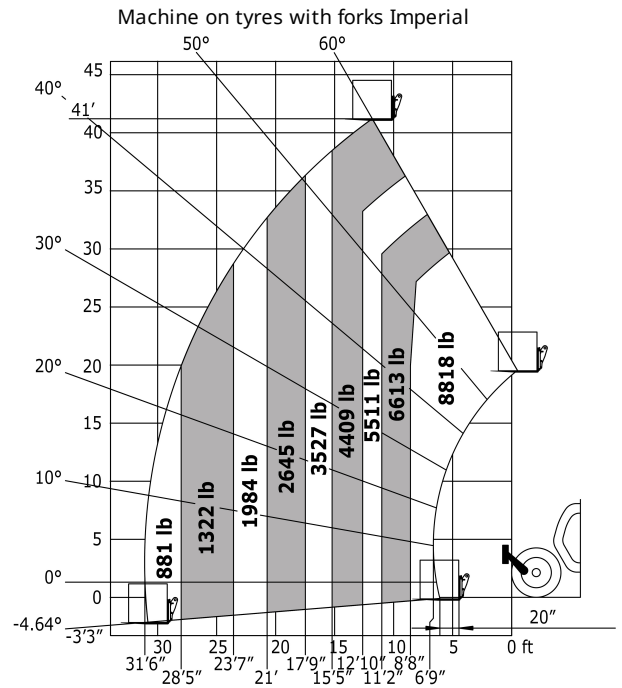
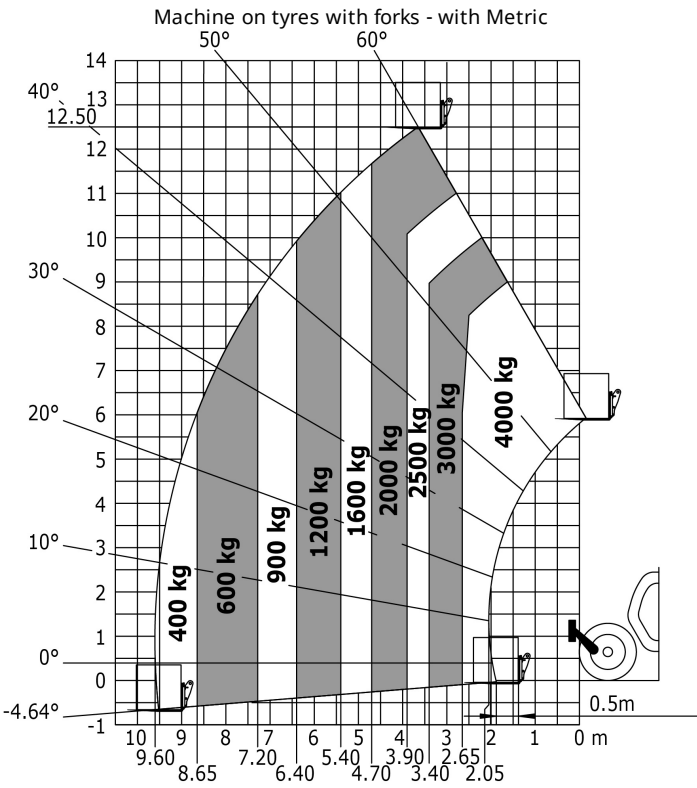
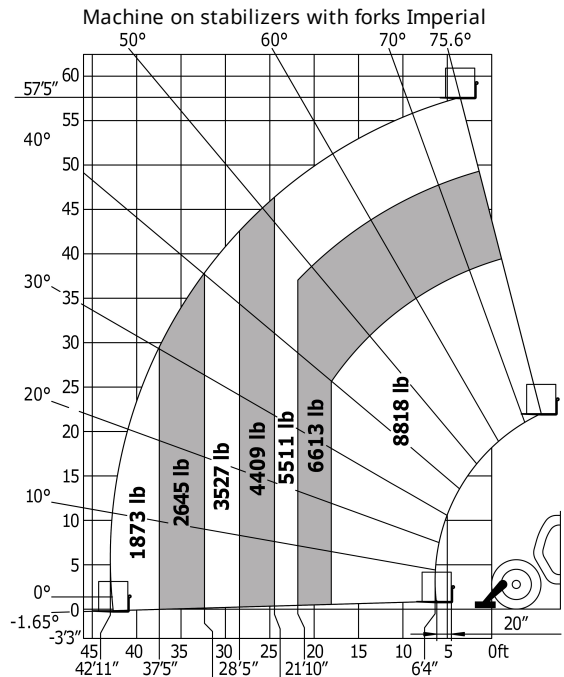
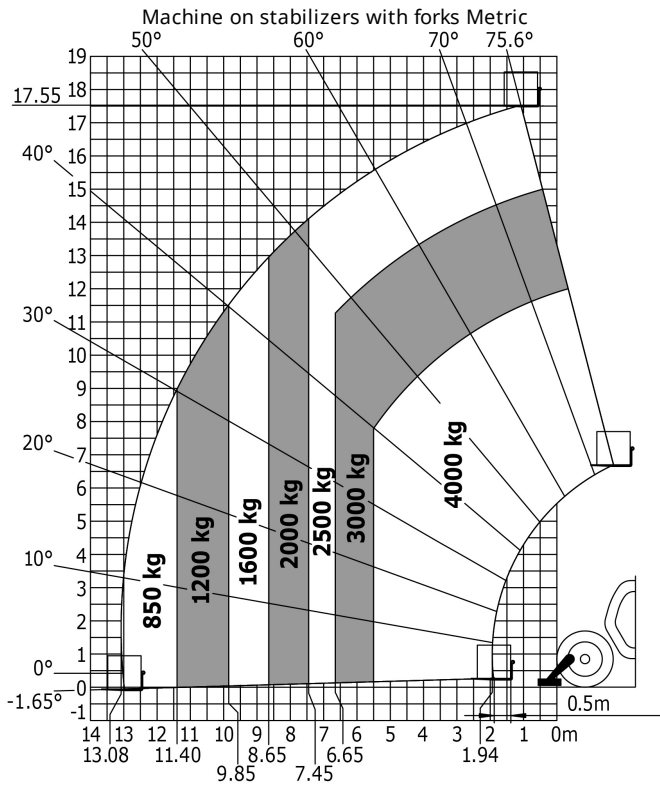


Capacities		Metric	Imperial
Max. capacity	Q	4000 kg	8818 lbs
Max. lifting height	h3	17.55 m	57 ft 7 in
Max. Reach	l4	13.08 m	42 ft 11 in
Breakout force with bucket		7766 daN	7766 daN
Weight and dimensions			
Overall length to carriage	l11	6.27 m	20 ft 7 in
Overall width	b1	2.42 m	7 ft 11 in
Overall height	h17	2.5 m	8 ft 2 in
Wheelbase	y	3.07 m	0.121 in
Ground clearance	m4	0.42 m	1 ft 5 in
Overall cab width	b4	0.89 m	2 ft 11 in
Tilt-up angle	a4	12 °	12 °
Tilt-down angle	a5	114 °	114 °
External turning radius (over tyres)	Wa1	4.01 m	13 ft 2 in
Unladen weight (with forks)		11870 kg	26169 lbs
Tyres type		Pneumatic	Pneumatic
Standard tyres		Alliance 400/80 - 24 - 162A8	Alliance 400/80 - 24 - 162A8
Forks length / width / section	l / e / s	1200 mm x 125 mm / 45 mm	47.244 in x 4.921 in / 1.772 in
Performances			
Lifting		16 s	16 s
Lowering		12 s	12 s
Extension		16 s	16 s
Retraction		13 s	13 s
Crowd		4 s	4 s
Dump		4 s	4 s
Engine			
Engine brand		Perkins	Perkins
Engine norm		Stage IV / Tier 4 Final	Stage IV / Tier 4 Final
Engine model		854F-E34TA	854F-E34TA
Number of cylinders / Capacity of cylinders		4 - 3400 cm ³	4 - 207.48 in ³
I.C. Engine power rating - Power (kW)		100 Hp / 75 kW	100 Hp / 75 kW
Max. torque / Engine rotation		430 Nm @ 1400 rpm	430 Nm @ 1400 rpm
Drawbar pull (Laden)		6680 daN	6680 daN
Transmission			
Transmission type		Torque Converter	Torque Converter
Number of gears (forward / reverse)		4 / 4	4 / 4
Max. travel speed		24.9 km/h	15.5 mph
Parking brake		Automatic parking brake	Automatic parking brake
Service brake		Oil-immersed multi-discs braking on front & rear axles	Oil-immersed multi-discs braking on front & rear axles
Hydraulics			
Hydraulic pump type		Gear pump	Gear pump
Hydraulic flow / Pressure		106 l/min / 270 Bar	106 l/min / 19 PSI
Tank capacities			
Engine oil		7.50 l	1.98 US gal
Hydraulic oil		135 l	35.67 US gal
Fuel tank		140 l	36.99 US gal
DEF tank capacity		21.60 l	5.71 US gal
Noise and vibration			
Noise at driving position (LpA)		78 dB(A)	78 dB(A)
Noise to environment (LwA)		103 dB(A)	103 dB(A)
Vibration on hands/arms		< 2.5 m/s	< 8.2 ft/s
Miscellaneous			
Steering wheels (front / rear)		2 / 2	2 / 2
Drive wheels (front / rear)		2 / 2	2 / 2
Safety / Safety cab homologation		Standard EN 15000 / ROPS - FOPS cab (level 2)	Standard EN 15000 / ROPS - FOPS cab (level 2)
Controls		JSM	JSM

Dimensional drawing



Load chart





Siège Social
430 rue de l'Aubinière - 44150 Ancenis Cedex - France
Tel: +33(0)2 40 09 10 11 - Fax: +33 (0)2 40 09 10 97
www.manitou.com



This brochure describes versions and configuration options for Manitou products which may be fitted with different equipment. The equipment described in this brochure may be standard, optional or not available depending on version. Manitou reserves the right to change the specifications shown and described at any time and without prior warning. The manufacturer is not liable for the specifications given. For more information, contact your Manitou dealer. Non-contractual document. Product descriptions may differ from actual products. List of specifications is not comprehensive. The logos and visual identity of the company are the property of Manitou and may not be used without authorisation. All rights reserved. The photos and diagrams contained in this brochure are provided for information only.

MANITOU BF SA - Limited company with board of directors - Share capital: 39,668,399 euros - 857 802 508
RCS Nantes